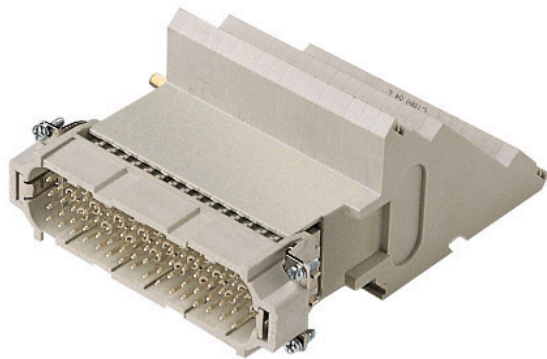




Part number

# CTSM 64 R



## Brief description:

male insert, 64 poles + PE, with terminal block, spring terminal connection, 10A 250V, 4kV, 3, silver plated, size "104.27" only bulkhead mounted housing, CLASS insert series

Product description		Approvals / Standards	
<b>Model</b>	male insert	<b>Reference standard</b>	EN 61984 (2001-11)
<b>Version</b>	with terminal block, spring terminal connection	<b>Quality mark</b>	 , EAC
<b>Series</b>	CTS	<b>Conformity</b>	CQC, CE
<b>Product type</b>	with male contacts	<b>General ordering information</b>	
<b>Variant</b>	right side mounting	<b>EAN13 code</b>	8015747041621
<b>Family</b>	CLASS inserts	<b>Tariff number</b>	85369095
<b>Size</b>	size "104.27" only bulkhead mounted housing	<b>Country of origin</b>	Made in EU (IT)
<b>N. of poles</b>	64 poles + 	<b>ETIM classification</b>	EC000438
Technical data		Packaging Information	
<b>Current</b>	10 A (A.C. and D.C.)	<b>Sub-packaging length</b>	145,00 mm
<b>Voltage</b>	250 V	<b>Sub-packaging height</b>	89,00 mm
<b>Rated impulse withstand voltage</b>	4kV	<b>Sub-packaging width</b>	120,00 mm
<b>Pollution degree</b>	3	<b>Sub-packaging weight</b>	0,49 kg
<b>Wire cross-section</b>	0,14 mm <sup>2</sup> - 2,50 mm <sup>2</sup>	<b>Sub-packaging volume</b>	1,55 dm <sup>3</sup>
<b>AWG size</b>	26 - 14	<b>Sub-packaging description</b>	Carton Box
<b>Operating temperature range (min, max)</b>	-50°C ... +70°C	<b>Sub-packaging quantity</b>	1 Pcs
<b>Contact type</b>	silver plated	<b>Sub-packaging EAN barcode</b>	8015747041638
<b>Mating cycles</b>	≥ 200		
<b>IP degree of protection</b>	IP20 without enclosure, IP65, IP66, IP67 and IP69K with enclosure		
Further technical details			
<b>Characteristics according to EN 61984</b>	100A 690V 8kV 3 (aux: 16A 400V 6kV 3)		
<b>Insulation resistance</b>	≥ 1 GΩ		
<b>Rated voltage according to UL/CSA</b>	600V		
<b>UL 94 flammability rating</b>	V-0		
<b>Weight</b>	486,00 g		

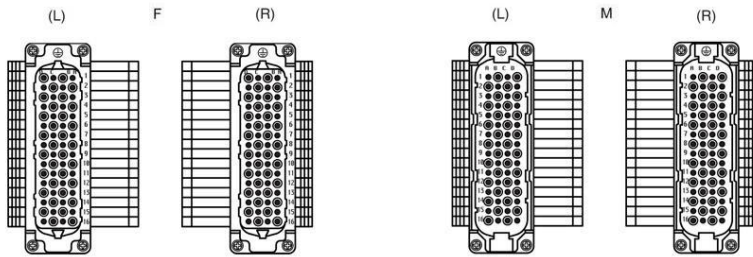
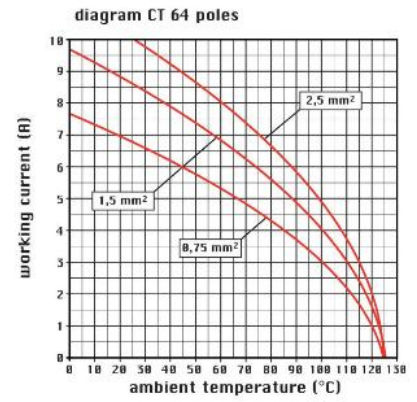
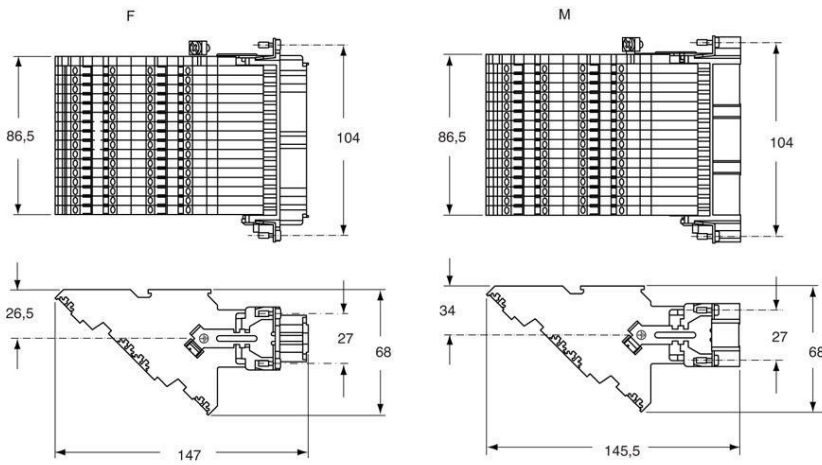
Part number

# CTSM 64 R



Catalogue drawings

Catalogue drawings



## Notes

Spring terminal connection.

